

# 114435 | SYS-PRO PUSH/FUNK MULTI-PWM-MESH-DIMMER, 1 KANAL, 12-24V DC 8A, 36-48V DC 4A

12-48V DC/ Stufenloses dimmen/Kabellose Steuerung/ Push-Dim/Wandanschlusskasten

## Eigenschaften

- 4096 Stufen, von 0-100% weiches dimmen ohne Flackern.
- Kompatibel mit Skydances 2.4G 1-Zonen oder Mehr-Zonen Fernbedienung.
- Ein RF Controller akzeptiert bis zu 10 Steuerungen.
- Automatisches senden: Controller sendet automatisch Signal zu anderem Controller innerhalb einer Reichweite von 30m.
- Synchronisation auf mehreren Controllern möglich.
- Um die 0-100% Dimm-Funktion nutzen zu können muss ein externer Druckschalter verbunden werden.
- Einfach hinter einem Druckschalter in einem Wandanschlusskasten zu verbauen.



FC CE RoHS LVD RED

## Technische Details

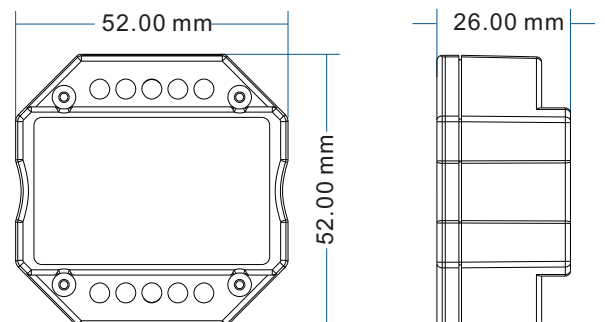
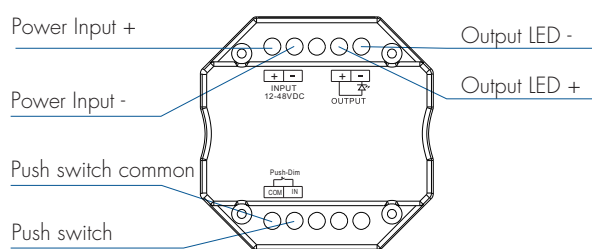
Ein- und Ausgang	
Eingangs-Spannung	12-48VDC
Ausgangs-Spannung	12-48VDC
Ausgang-Strom	6A@12/24V, 3A@36/48V
Ausgangsleistung	72W/144W/108W/144W (12V/24V/36V/48V)
Ausgangsart	Konstant Spannung
Dimm-Daten	
Eingangs-Signal	RF 2.4GHz + Push Dim
Bedien-Reichweite	30m
Dimmlevel	4096 levels
Dimmbereich	0 -100%
Dimm-Kurve	Logarithmisch
PWM Frequenz	500Hz (default)

Sicherheit und EMV	
EMV Standard	EN301 489,EN 62479
Sicherheits Standard (NS-Richtlinie)	EN60950
Funkanlagenrichtlinie(RED)	EN300 328
Zertifikat	CE,EMV,NS-Richtlinie,RED

Umgebung	
Betriebstemperatur	Ta: -30 °C ~ +55 °C
Gehäusetemperatur (max.)	Tc: +85 °C
Schutzart	IP20

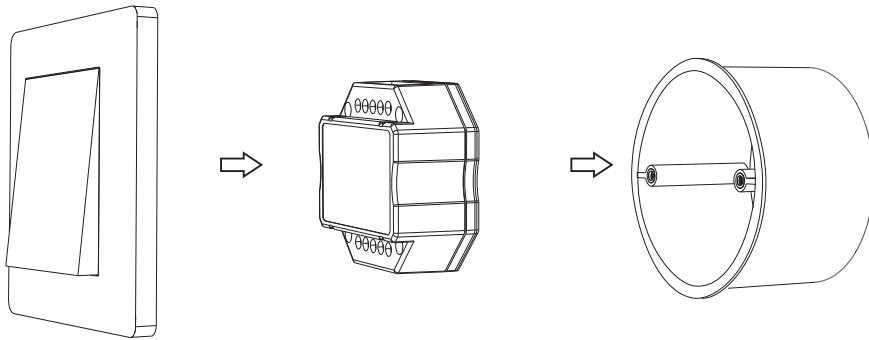
Garantie und Schutz	
Garantie	5 Jahre
Schutz	Umgekehrte Polarität

## Mechanical Structures and Installations



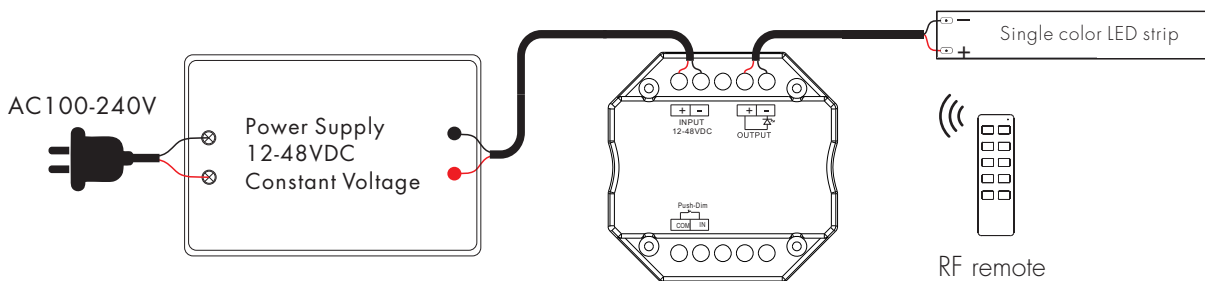
# 114435 | SYS-PRO PUSH/FUNK MULTI-PWM-MESH-DIMMER, 1 KANAL, 12-24V DC 8A, 36-48V DC 4A

## Typical Wall Junction Box Mounting

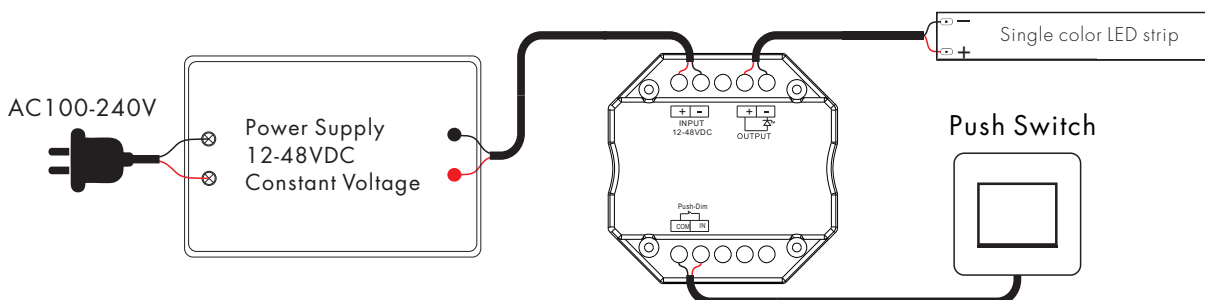


## Wiring Diagram

- Match with dimming remote



- Connect with push switch



# 114435 | SYS-PRO PUSH/FUNK MULTI-PWM-MESH-DIMMER, 1 KANAL, 12-24V DC 8A, 36-48V DC 4A

## Match Remote Control

### Use Power Restart

Match:

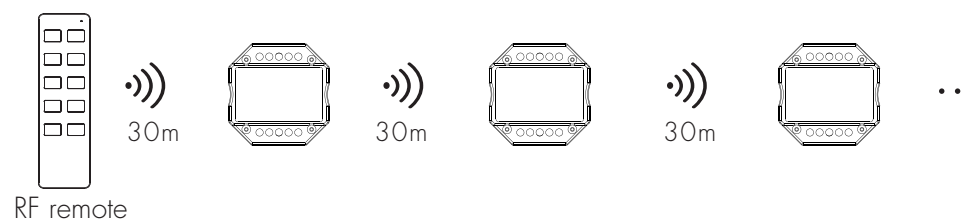
Switch off the power, then switch on power again, immediately short press on/off key (single zone remote) or zone key (multiple zone remote) 3 times on the remote. The light blinks 3 times means match is successful.

Delete:

Switch off the power, then switch on power again, immediately short press on/off key (single zone remote) or zone key (multiple zone remote) 5 times on the remote. The light blinks 5 times means all matched remotes were deleted.

## Application notes

1. All the receivers in the same zone.



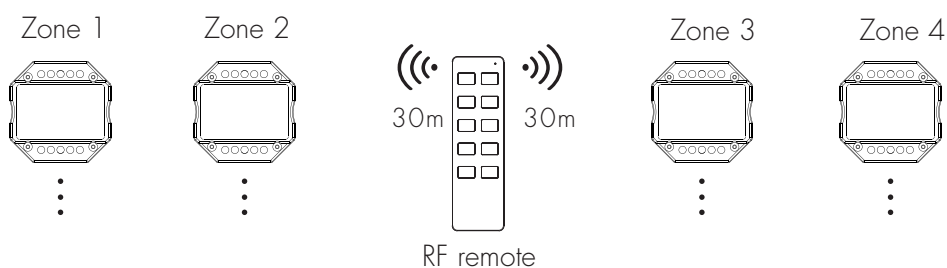
**Auto-transmitting:** One receiver can transmit the signals from the remote to another receiver within 30m, as long as there is a receiver within 30m, the remote control distance can be limitless.

**Auto-synchronization:** Multiple receivers within 30m distance can work synchronously when they are controlled by the same remote.

Receiver placement may offer up to 30m communication distance. Metals and other metal materials will reduce the range. Strong signal sources such as WiFi routers and microwave ovens will affect the range.

We recommend for indoor applications that receiver placements should be no further apart than 1.5m.

2. Each receiver(one or more) in a different zone, like zone 1, 2, 3 or 4.



# 114435 | SYS-PRO PUSH/FUNK MULTI-PWM-MESH-DIMMER, 1 KANAL, 12-24V DC 8A, 36-48V DC 4A

## Push Dim Function

The provided Push-Dim interface allows for a simple dimming method using commercially available non-latching (momentary) wall switches.

- **Short press:**  
Turn on or off light.
- **Long press (1-6s):**  
Press and hold to step-less dimming,  
With every other long press, the light level goes to the opposite direction.
- **Dimming memory:**  
Light returns to the previous dimming level when switched off and on again, even at power failure.
- **Synchronization:**  
If more than one controller are connected to the same push switch, do a long press for more than 10s, then the system is synchronized and all lights in the group dim up to 100%.  
This means there is no need for any additional synchrony wire in larger installations.  
We recommend the number of controllers connected to a push switch does not exceed 25 pieces,  
The maximum length of the wires from push to controller should be no more than 20 meters.

## Dimming curve

Logarithmic dimming curve

